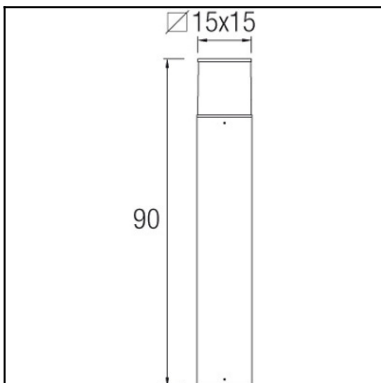




TECHNICAL CHARACTERISTICS

Type:	Beacon
IP Protection degrees:	IP54
IK Protection degrees:	IK10
Light source 1:	1 x E27 max. 60W Maximum lamp length: 180.00 mm
Voltage / Frequency:	220-240V/50-60Hz
Warranty (Years):	2
Units per box:	2
Net Weight (Kg):	4.75
EAN:	8435111088432

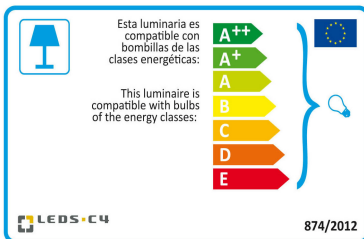
The photograph may not match the reference exactly. Please read the product description to identify the finish.



MATERIALS / FINISHES

Structure material:	Extruded aluminium	Diffuser material:	Polycarbonate
Structure finish:	Urban grey	Diffuser finish:	Matt

[Download photometric file .ldt / .ies](#)

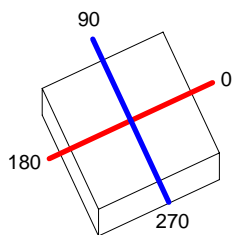


[Click on image to download energy label](#)

Luminaire		Measuram.		Lamp			
Code	55-9549-34-M3	Code	55-9549-34-M3	Code	STANDARD S 60W E27 O		
Name	Baliza CUBIK 1x60W E27 A55	Name	Baliza CUBIK 1x60W E27 A55	Number	1		
Line	- LEDS-C4	Date	26-10-2015	Position	Universal		
Luminaire Flux	333.69 lm	Luminaire Power	60.00 W	Efficacy	5.56 lm/W	Efficiency	52.14%
Lamps Flux	640.00 lm	Maximum value	39.59 cd	Position	C=45.00 G=100.00	CG Asymmetrical	
Rectangular Luminaire	Length	150 mm	Width	150 mm	Height	900 mm	
Rectangular Luminous Area	Length	150 mm	Width	150 mm	Height	140 mm	
Horizontal Luminous Area	0.022500 m2		Emitting area on Plane 180°		0.021000 m2		
Emitting area on Plane 0°	0.021000 m2		Emitting area on Plane 270°		0.021000 m2		
Emitting area on Plane 90°	0.021000 m2		Glare area at 76°		0.025819 m2		
Coordinate system	CG	Symmetry Type		Asymmetrical			
Date	26-10-2015	Maximum Gamma Angle		180			
Measurement Distance	6.44	Measurement Flux		524.00 lm			
Operator	Asselum T2	Source voltage		230.00 V			
Temperature	21.00 °C	Source current		Prc			
Humidity	60.00 %	Photocell					
Notes							

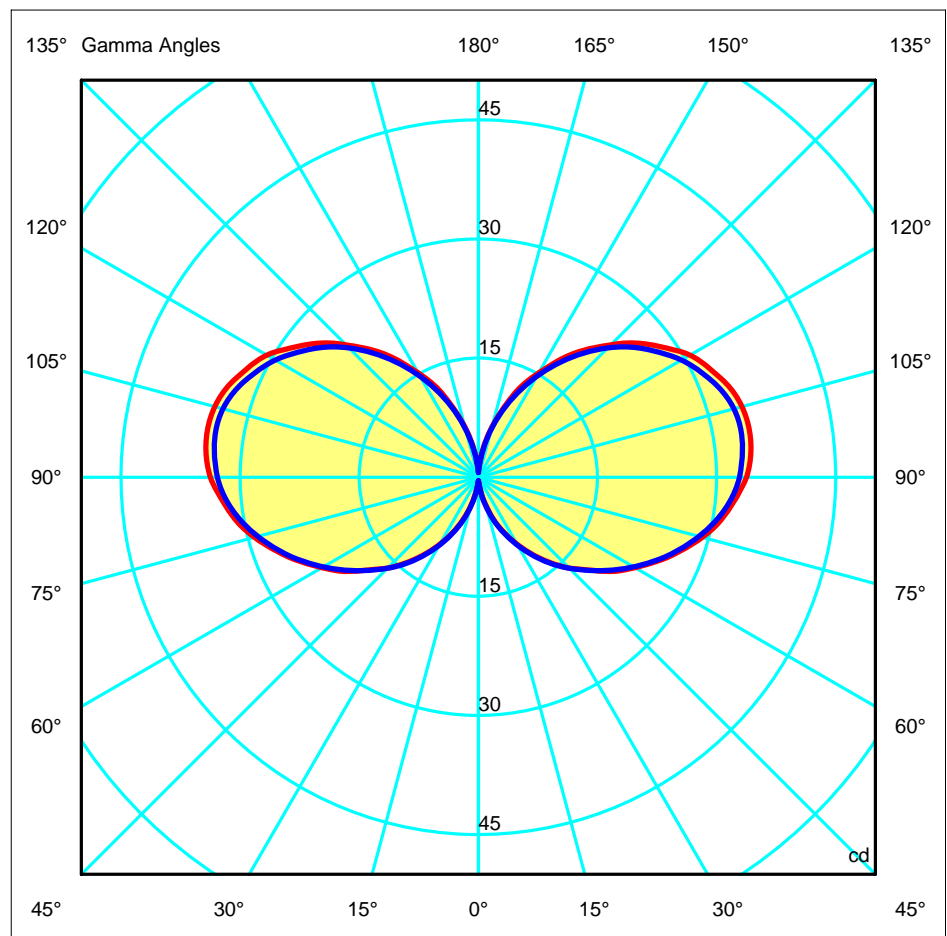
Luminaire Lamps					
Line	Code	Name	Flux [lm]	Pow. [W]	Q.ty
PHILIPS 2005 ILCOS IA,IB,IC	STANDARD S 60W E27 O	STANDARD SFER 60W E27 OPALE	640.00	60.00	1
C.I.E.	10 33 63 45 52	D DIN 5040	C12		
F UTE	--	B NBN	BZ 10		

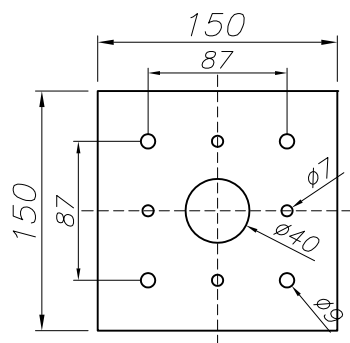
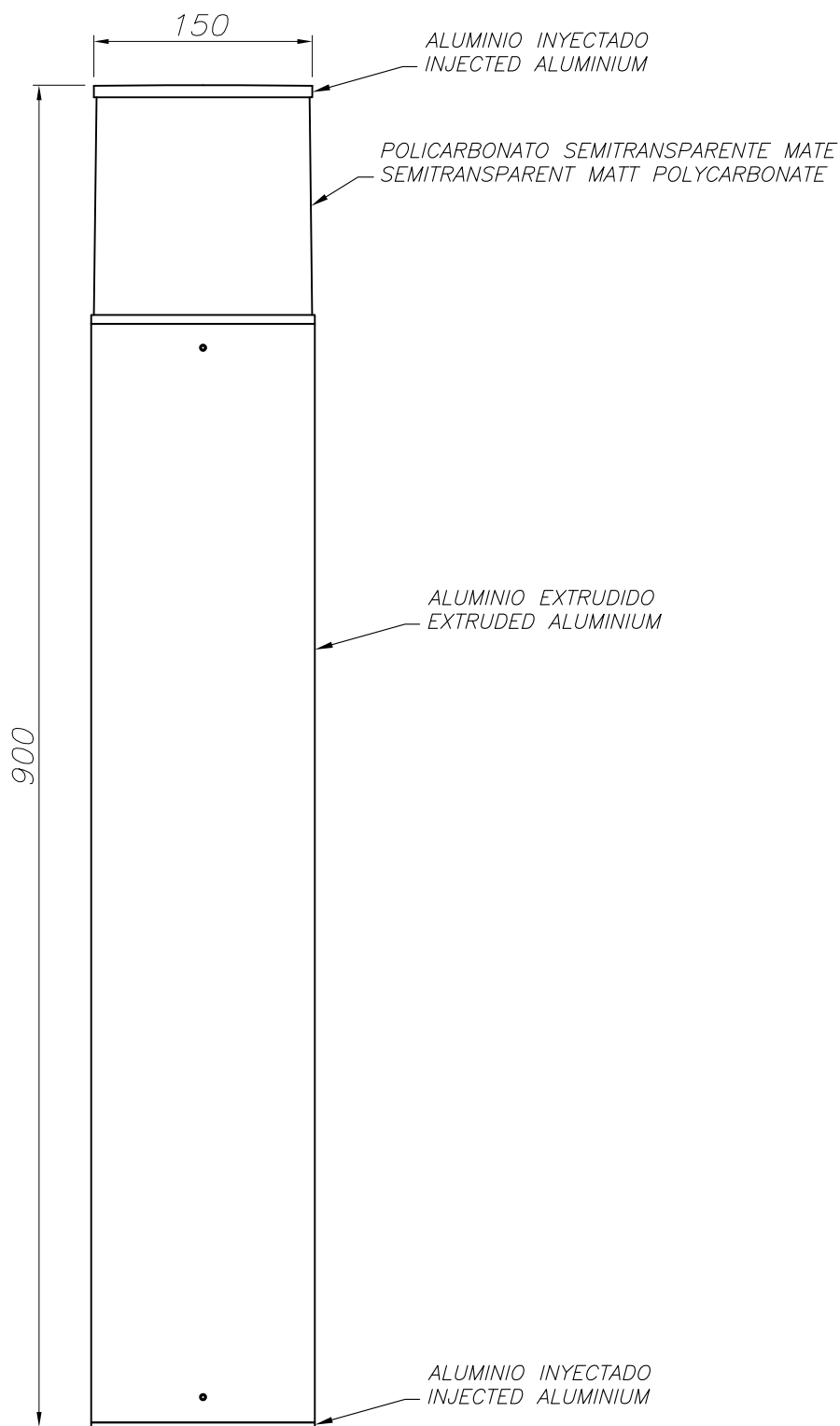
150mm x 150mm



C Halfplanes
 180.0 — 0.0
 270.0 — 90.0

ULOR 28.78 %
 DLOR 23.36 %
 RN 55.20 %





PLANTILLA DE INSTALACION
INSTALLATION TEMPLATE

