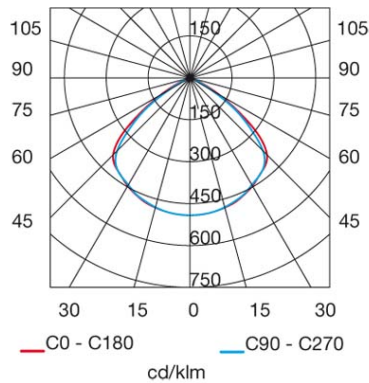
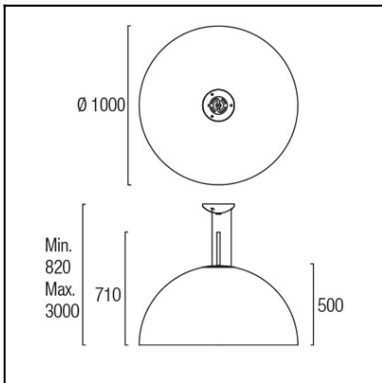


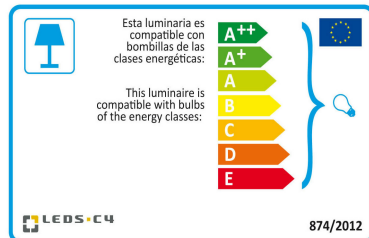
Design by WIS Design



The photograph may not match the reference exactly. Please read the product description to identify the finish.



Download photometric file .ldt / .ies



Click on image to download energy label

TECHNICAL CHARACTERISTICS

Type:	Pendant
IP Protection degrees:	IP20
Light source 1:	3 x E27 MAX 23W Maximum lamp length: 150.00 mm Maximum lamp diameter: 60.00 mm
Total power consumption (W):	69
Voltage / Frequency:	220-240V/50-60Hz
Warranty (Years):	2
Units per box:	1
Net Weight (Kg):	10
EAN:	8435111059166



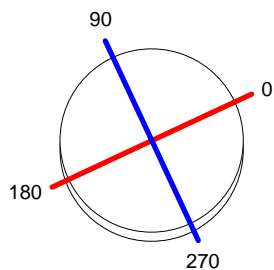
MATERIALS / FINISHES

Structure material:	Steel Methacrylate	Diffuser material:	Glass Fabric shade
Structure finish:	Golden Black lacquered	Diffuser finish:	Tinted Golden

Luminaire		Measur.		Lamp	
Code	00-2726-AP-05	Code	00-2726-AP-05	Code	PLEC23
Name	Colg. UMBRELLA 3x23W PL-E E27	Name	Colg. UMBRELLA 3x23W PL-E E27	Number	3
Line	Eulumdat	Date	24-03-2010	Position	
Efficiency	25.61%	Coordinate system	CG	Total Flux	4500.00 lm
Maximum value	491.81 cd	Position	C=0.00 G=0.00	Double Symmetrical	
Round Luminaire	Diam.	990 mm	Height	510 mm	
Round Luminous Area	Diam.	915 mm	Height	1 mm	
Horizontal Luminous Area	0.657555 m2	Emitting area on Plane 180°	0.000915 m2	Emitting area on Plane 270°	0.000915 m2
Emitting area on Plane 0°	0.000915 m2	Glare area at 76°	0.159965 m2		
Emitting area on Plane 90°	0.000915 m2				
Symmetry Type	Double Symmetrical	Maximum Gamma Angle	90		
Measurement Distance	0.00	Measurement Flux	4500.00 lm		
Operator	Asselum	Source voltage			
Temperature	25.00 °C	Source current			
Humidity	60.00 %	Photocell			
Notes					

Luminaire Lamps						
Line	Code	Name	Flux [lm]	Pow. [W]	Q.ty	
Eulumdat	PLEC23	PLEC23 - 23.00 W	1500.00	23.00	3	
C.I.E.	61 96 100 100 26	D DIN 5040	A50			
F UTE	0.26 C	B NBN	BZ 3 / 1.5 / BZ 2			

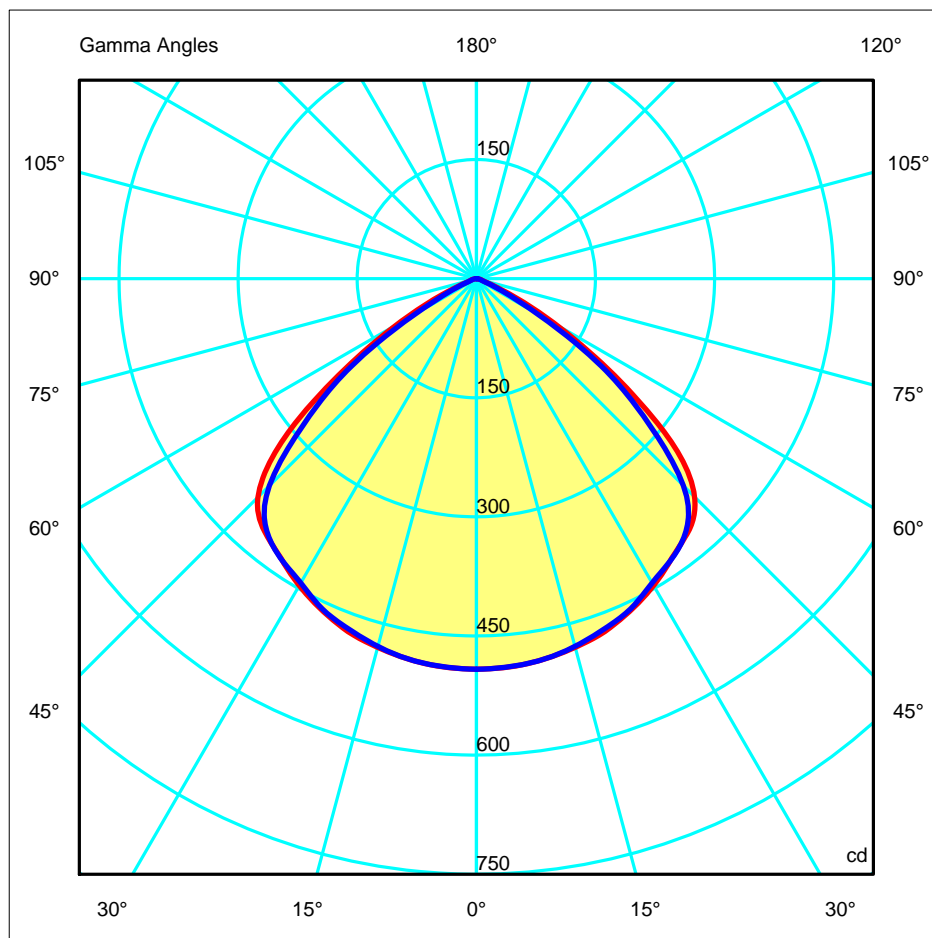
Diam=990mm



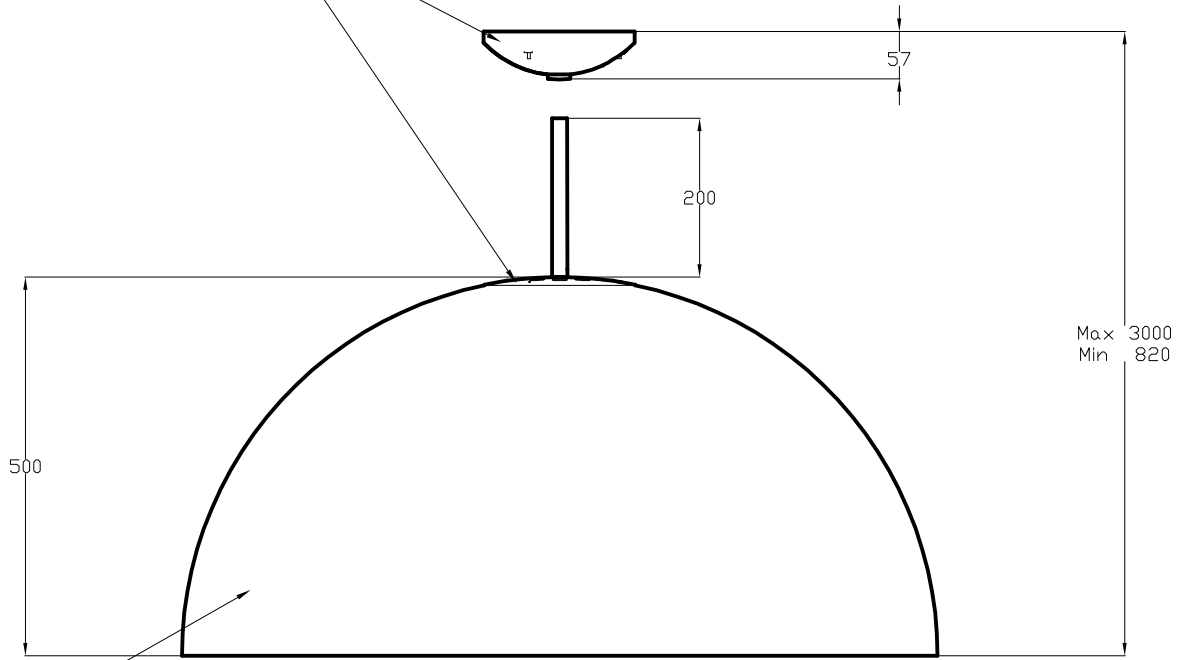
C Halfplanes

180.0 — 0.0
270.0 — 90.0

ULOR 0.00 %
DLOR 25.61 %
RN 0.00 %



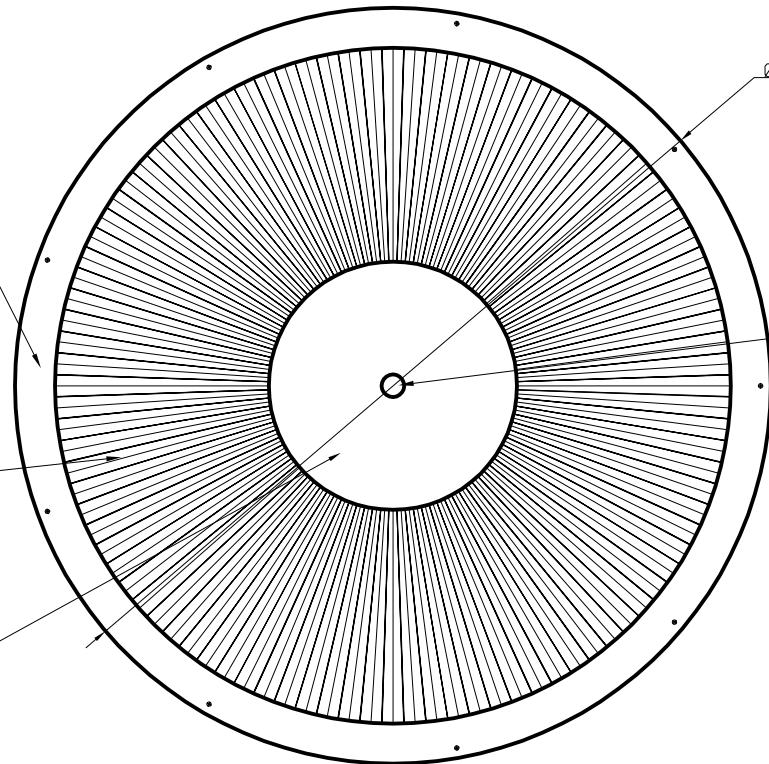
IRON / HIERRO



METRACRILATE/
METRACRILATO

FABRIC & PVC/
TELA I PVC

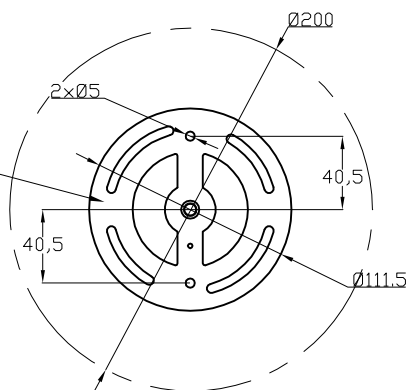
OPTIC GLASS/
CRISTAL ÓPTICO



$\varnothing 1000$

LATÓN / BRASS

IRON / HIERRO



$\varnothing 200$

$2 \times \varnothing 5$

40,5

40,5

$\varnothing 111,5$

