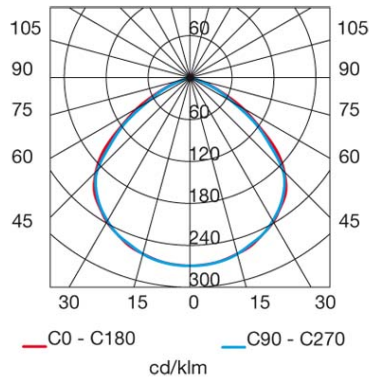
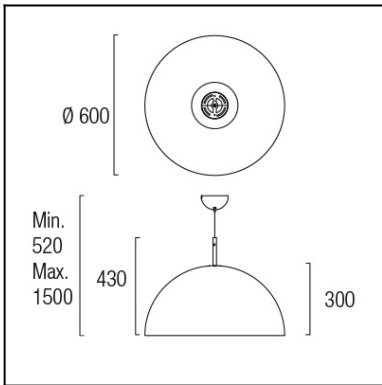


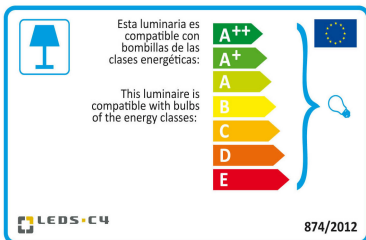
Design by WIS Design



The photograph may not match the reference exactly. Please read the product description to identify the finish.



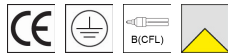
Download photometric file .ldt /.ies



Click on image to download energy label

TECHNICAL CHARACTERISTICS

Type:	Pendant
IP Protection degrees:	IP20
Light source 1:	3 x E14 MAX 11W Maximum lamp length: 145.00 mm Maximum lamp diameter: 45.00 mm
Total power consumption (W):	33W
Voltage / Frequency:	220-240V/50-60Hz
Warranty (Years):	2
Units per box:	1
Net Weight (Kg):	4.2
EAN:	8435111062838



MATERIALS / FINISHES

Structure material: Steel
Methacrylate

Structure finish: Silver
White lacquered

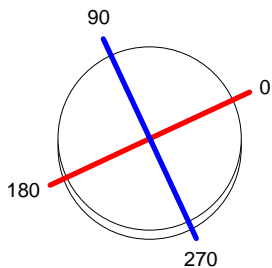
Diffuser material: Glass
Fabric shade

Diffuser finish: Tinted
Silver

Luminaire		Measur.		Lamp	
Code	00-2727-AP-05	Code	00-2727-AP-05	Code	DLX EL LL 11W827E14
Name	Colgan UMBRELLA 3x11W E14 opal	Name	Colgan UMBRELLA 3x11W E14 opal	Number	3
Line	Eulumdat	Date	22-09-2010	Position	
Efficiency	34.40%	Coordinate system	CG	Total Flux	1890.00 lm
Maximum value	269.32 cd	Position	C=0.00 G=0.00	Double Symmetrical	
Round Luminaire	Diam.	600 mm	Height	300 mm	
Round Luminous Area	Diam.	540 mm	Height	1 mm	
Horizontal Luminous Area	0.229022 m2	Emitting area on Plane 180°	0.000540 m2		
Emitting area on Plane 0°	0.000540 m2	Emitting area on Plane 270°	0.000540 m2		
Emitting area on Plane 90°	0.000540 m2	Glare area at 76°	0.055929 m2		
Symmetry Type	Double Symmetrical	Maximum Gamma Angle	90		
Measurement Distance	0.00	Measurement Flux	1890.00 lm		
Operator	Asselum	Source voltage			
Temperature	25.00 °C	Source current			
Humidity	60.00 %	Photocell			
Notes					

Luminaire Lamps						
Line	Code	Name	Flux [lm]	Pow. [W]	Q.ty	
Eulumdat	DLX EL LL 11W827E14	DLX EL LL 11W827E14 - 11.00 W	630.00	11.00	3	
C.I.E.	57 91 99 100 34	D DIN 5040	A40			
F UTE	0.34 C	B NBN	BZ 3			

Diam=600mm



C Halfplanes

180.0 — 0.0

270.0 — 90.0

ULOR 0.00 %

DLOR 34.40 %

RN 0.00 %

